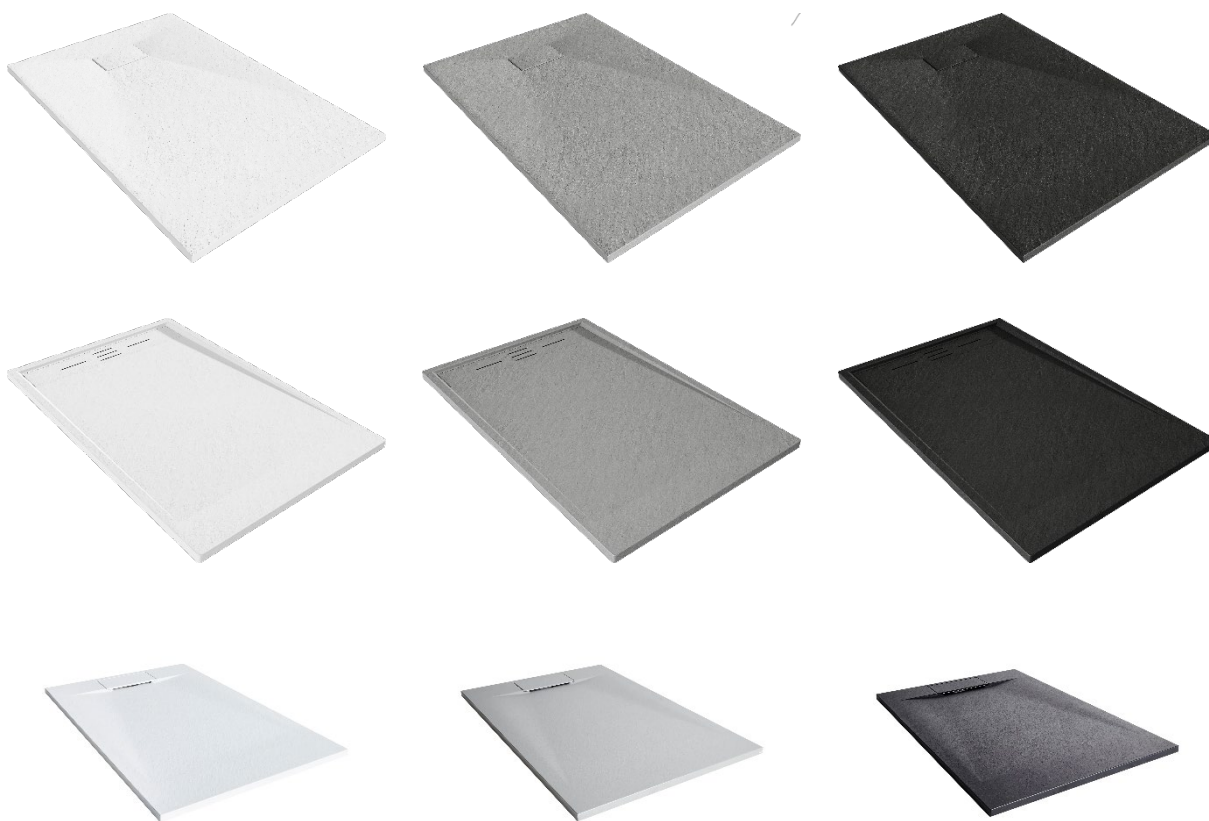


## Installation and User Guide

### SHOWER TRAY

### Techsanit TS-TRAY



**MODELS: TS-TRAY-A, TS-TRAY-B, TS-TRAY-C**




## TABLE OF CONTENTS

|      |  |    |
|------|--|----|
| 1.   | General information .....                              | 3  |
| 2.   | Preparation for installation .....                     | 4  |
| 3.   | Tools recommended for installation.....                | 4  |
| 4.   | Product information.....                               | 5  |
| 5.   | Shower tray installation instructions.....             | 5  |
| 6.   | Detailed information on models .....                   | 9  |
| 6.1. | TS-TRAY-A .....  | 9  |
| 6.2. | TS-TRAY-B .....  | 11 |
| 6.3. | TS-TRAY-C.....   | 13 |
| 7.   | Cleaning and maintenance.....                          | 15 |
| 8.   | Disposal of and handling of end-of-life equipment..... | 15 |


## 1. General information


Before proceeding with the installation and use of the shower tray, please read these instructions carefully and follow the information contained herein. All information contained in the following instructions is based on the latest technical data available for the product. The manufacturer reserves the right to change the product's features, packaging or the range of available products at any time and without notifying users. Due to the dynamic development of the product, there may be slight differences in design and/or description. The sketches, drawings and photographs contained in this manual are for illustrative purposes only.

### SYMBOLS USED IN THE USER MANUAL

| Symbol  | Description  |
|---|--|
|  | Note/Warning regarding the need to strictly follow the information contained in the documentation to ensure the safety and full functionality of the device. |
|  | Information particularly useful for the installation and operation of the device   |
|  | Information on the disposal of end-of-life equipment   |

The shower tray must only be installed by a person with the appropriate qualifications in plumbing and sanitary installation work. The installer is obliged to carry out the installation work in accordance with the instructions and the applicable regulations and standards regarding the safety of sanitary installations. Incorrect installation, repair or replacement of the shower tray by unqualified persons may lead to permanent damage, leaks or even flooding.

|   |   |
|---|---|
|  | <b>WARNING:</b> Only a qualified person should install the shower tray. A product that is not correctly installed, prepared or replaced may cause permanent damage, leaks or flooding. When carrying out installation work, observe all safety precautions contained in this manual, on the stickers and labels on the packaging and on the product itself. |
|---|---|

|   |   |
|---|---|
|  | The manufacturer accepts no liability for damage resulting from incorrect installation of the product, neglect of its technical condition, or use of the product contrary to its intended purpose. The user manual is an integral part of the kit and must be kept in an accessible place for the entire duration of the product's use. Failure to follow the instructions contained herein may result in damage to the product, loss of the warranty, and the inability to make claims under the warranty. |
|---|---|

The manufacturer reserves the right to make changes to the instructions.


The manufacturer is solely responsible for the product sold.

The manufacturer is not liable for costs incurred in installing the shower tray or for damage resulting from incorrect operation or use.

## 2. Preparation for installation

Before unpacking and installation, check the condition of the packaging. If the packaging is damaged, this must be documented by taking photographs, including the consignment note and product label. Photographic documentation may facilitate any subsequent claims procedure.

The boxes should be unpacked by making a **very gentle and shallow** cut with a bookbinding knife. Take care, as incorrect cutting with a bookbinding knife may cause permanent damage to the product.

|   |   |
|---|---|
|  | <p><b>WARNING:</b> The product may be damaged by cutting with a knife; therefore, it is recommended to make a very shallow cut, i.e. to the depth of the tape, or to use other tools to help tear the packaging tape, e.g. a screwdriver.</p> <p>The manufacturer accepts no liability for damage resulting from the incorrect unpacking of products.</p> |
|---|---|

After unpacking the set, please check its condition and completeness. In the event of missing items, defects or other problems, please contact the seller.

Contents of the set:

- Shower tray
- Trap

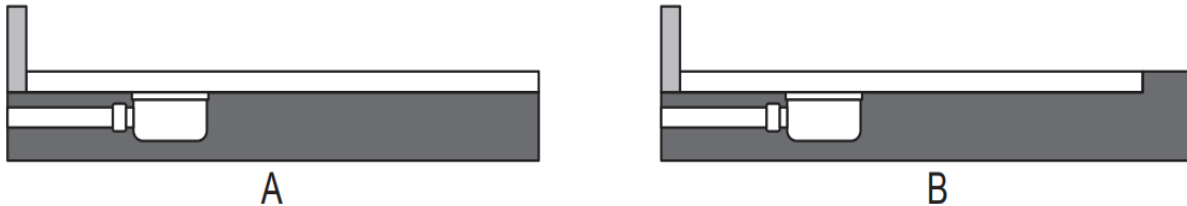


## 3. Tools recommended for installation

- Pencil
- Measuring tape
- Masking tape
- Angle grinder with a stone/concrete disc
- Hammer drill
- Screwdriver set (flathead, Phillips)
- Spirit level
- Hydraulic wrench
- Silicone
- Saw (for cutting the shower tray)

## 4. Product information

The TS-TRAY series shower tray is designed for installation on the floor surface or flush with the floor (flush-mounted).



The product is made of SMC, i.e. a polyester resin-based plastic reinforced with glass fibre and containing fillers.

The height of the shower tray allows for easy installation in many bathrooms, both on the floor, as per sketch A (on tiles, screed, membrane, etc.), and flush with the floor, as per sketch B (the level of the shower tray flush with the floor level: tiles, carpet, membrane, screed, etc.).



**Please note!** The choice of installation method (according to sketch A or sketch B) is entirely up to the user; however, the model and installation method of the shower enclosure, as well as the location of the drain connection, must be taken into account, ensuring a minimum gradient of 2.5%.

## 5. Shower tray installation instructions

### 1. Preparatory work (initial levelling and alignment)

- The subfloor must be stable, solid, even and level across the entire surface on which the shower tray will rest.
- If the subfloor is uneven, carry out the main levelling and alignment before proceeding with further installation work. In this case, the floor level serves as a reference point for creating the correct depth of the recess for the shower tray.
- Next, thoroughly clean the surface: vacuum/dust, remove debris and loose fragments of concrete/mortar/screed.



**Please note!** The main levelling and alignment of the entire bathroom floor must be carried out at the start – before creating the recess (groove) for the shower tray. Later, once the recess for the trap has been created, only localised filling and minor adjustments resulting from chiselling are required.

### 2. Checking the shower tray before installation

- Check the shower tray before installation: no scratches, dents, cracks or deformations; check that the model, colour and finish are correct.
- Check that all components are present and inspect the condition of the product after transport.
- If you notice any defects or damage — DO NOT INSTALL — report the issue before installation.



**Please note!** Damage resulting from transport and/or improper storage can only be claimed before the shower tray is installed. If the shower tray is installed, such defects will not be considered.

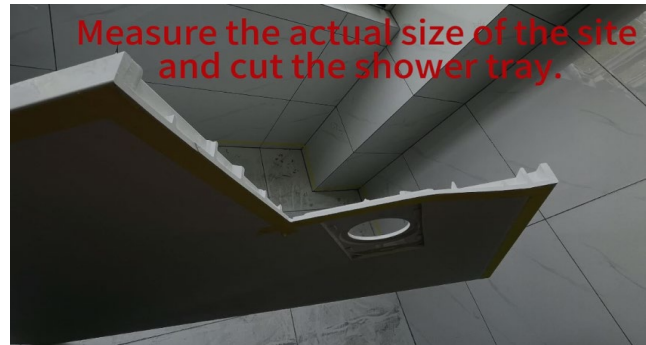
### 3. Positioning and marking the drain location

- Place the shower tray in its final position. Mark the outline of the shower tray on the floor with a marker.
- Plan expansion joints around the shower tray: at the shower tray–wall and shower tray–floor junctions (especially when installing flush with the floor). Bear in mind that the joints must remain clear (space for silicone sealing at the end) — do not plan ‘flush’ joints. The recommended width of the expansion joint is approx. 1–3 mm.
- Mark the centre of the drain hole (space for the trap in the floor).



**Warning!** It is prohibited to install the shower tray by ‘pressing it in’. The shower tray should be installed with the necessary expansion gaps to allow for the application of sealant (silicone) on all sides where the shower tray meets the walls.

The shower tray can be cut to the required shape. To do this, use an angle grinder with a thin concrete disc.



**Warning!** When cutting with an angle grinder, strictly follow the health and safety regulations for this activity, and in particular wear safety goggles, a dust mask and protective gloves.

### 4. Creating a recess in the floor for the shower tray and trap.

- Cut a recess in the floor for the shower tray in accordance with the previously marked outline of the shower tray (applies to installation of the shower tray flush with the floor, i.e. as per sketch B).



**Note!** For the installation option shown in sketch A, only the recess for the trap and drain pipe should be cut; for option B, first cut the recess for the shower tray and then the recess for the trap and drain pipe.

- Next, level and smooth out the recess. The depth of the recess should be such as to ensure that the shower tray and the floor are level.
- Mark out the position for the trap and drain pipe within the recess.

- Cut out a recess for the trap and the drain pipe so that the trap fits freely and can be connected to the drainage system.
- Make the recess as precisely as possible — it is recommended to leave as little space as possible around the trap, approximately 2 cm, so that the shower tray does not lose stable support in the drain area.



**Warning!** Before chiselling, make sure there are no cables or pipes running through the floor (e.g. underfloor heating, electrical wiring, pipes).

#### 5. Fitting the trap before filling the gaps

- Place the trap into the recess and check: whether it fits, whether it can be aligned with the drain axis, and whether it interferes with the concrete or the pipe connection.
- If the trap does not fit — adjust the recess (enlarge/change the shape) and try it again.

#### 6. Connecting the trap and initial leak test (before filling any gaps)

- In this option, the drain flange will only be bolted down once the shower tray has been installed.
- Connect the trap to the drainpipe and make sure everything is stable and correctly positioned.
- Carry out a preliminary water flow test within the trap (as far as the installation stage allows) and check that the water drains correctly.
- No water or moisture should appear outside the drain/trap area.



**Note!** After carrying out the test, dry the installation area before continuing with further work.

#### 7. Filling gaps after chiselling and preparing the support (after fitting the trap)

- Remove dust and loose debris from around the recess and then fill any gaps left after chiselling.
- Prepare the surface so that the shower tray has full and stable support and can be levelled correctly.

#### 8. Waterproofing (optional)

- If the shower tray is to be installed flush with the floor, it is advisable to apply waterproofing in the following areas: under the shower tray, along the walls (tape/corner seals) and around the trap and drain.
- Waterproofing must be carried out whilst ensuring the shower tray is fully supported.

#### 9. Shower tray installation (final assembly)

Before final installation, carry out a leak test on the shower tray, i.e.:

- Pour water into the shower tray and check for leaks and the effectiveness of the drain. No water or moisture should appear outside the drain area.
- Leave the water in the trap for a few minutes and repeat the test. Only proceed with installation and finishing once the test has been successful.
- Before installing the shower tray, remove the protective film from the edges of the tray, as access to these areas may be difficult once it is installed.

- Set the shower tray on the installation bed (e.g. screed or flexible tile adhesive). Do not use construction foam as a support.
- Level the shower tray and ensure it is securely set. Leave the expansion joints free — do not fill them with adhesive or grout (they will be sealed with silicone at the end).



**Warning!** Do not place heavy loads on the shower tray, as this may cause it to warp. Do not carry out any further work until the installation layer has set (in accordance with the manufacturer's instructions for the material used).



**Warning!** During further work, protect the shower tray (e.g. with cardboard or protective film) to avoid scratches.

#### **10. Installation of the drain/flange after the shower tray has been set (from above, using screws)**

- Once the shower tray is in place, fit the drain/flange from above and secure it to the trap in accordance with the design (using screws).
- Tighten the screws evenly (alternately) so that the gasket is pressed down uniformly around the entire circumference.
- Additional sealing (optional): you can use sanitary silicone as a second barrier (in addition to the gasket). Before applying the silicone, ensure that the surface around the drain opening is clean and dry. Apply the silicone in a thin, continuous layer (film) to the contact surface around the drain opening and do not allow it to enter the drain.

#### **11. Sealing expansion joints with silicone (final stage)**

- Apply the silicone after the tiling work (tiles, grouting) has been completed and the substrate is completely dry.
- Protect the area where the shower tray meets the wall and floor with masking tape.
- If the expansion joint is deep, use an expansion joint cord (foam) as a filler under the silicone.
- Make sure the surfaces are dry, clean and free of grease.
- Apply sanitary silicone, smooth the joint and leave to cure (minimum 24 hours or as per the manufacturer's instructions). Do not use the shower or flood the sealed area until the silicone has cured.

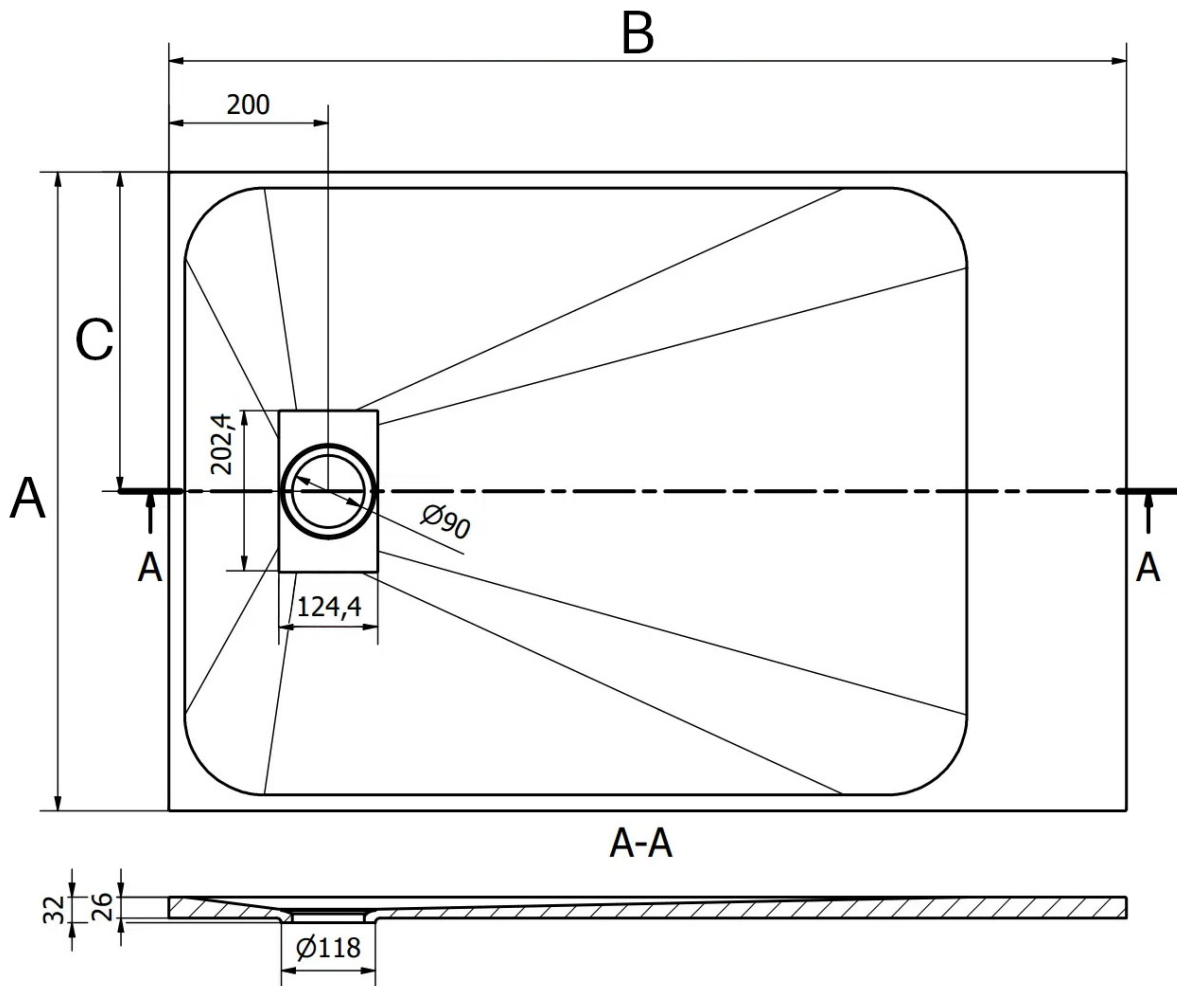
## 6. Detailed information on models

### 6.1. TS-TRAY-A

Colour options



Technical drawing



List of models and their dimensions

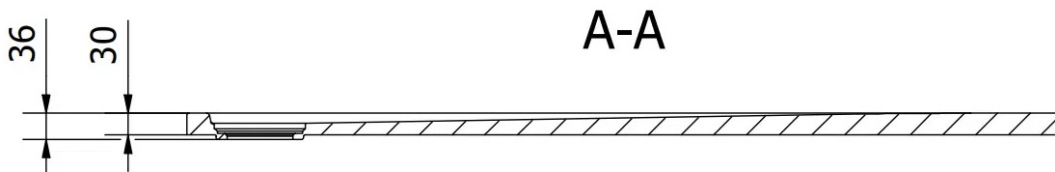
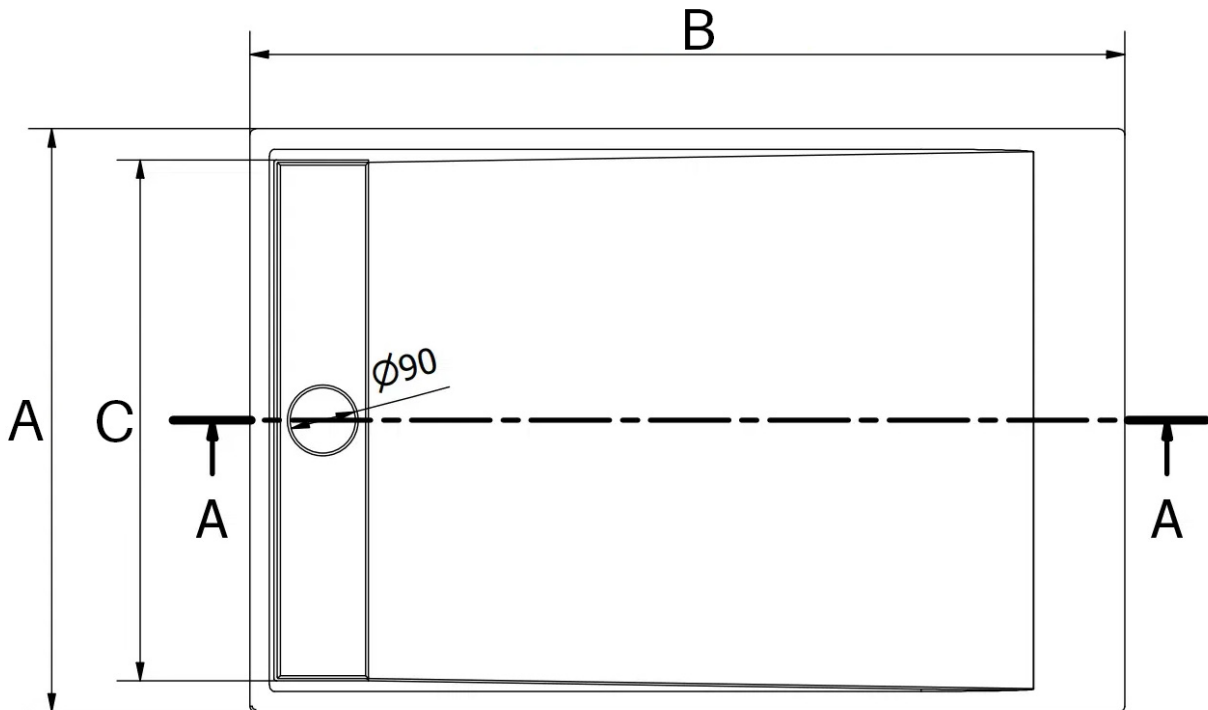
| Full model name        | Colour | Depth | Width       | Length      | Half width  |
|------------------------|--------|-------|-------------|-------------|-------------|
|                        |        |       | Dimension A | Dimension B | Dimension C |
|                        |        | mm    | mm          | mm          | mm          |
| TS-TRAY-A-70X70-WHITE  | White  | 32    | 700         | 700         | 350         |
| TS-TRAY-A-70X70-GREY   | Grey   |       |             |             |             |
| TS-TRAY-A-70X70-BLACK  | Black  |       |             |             |             |
| TS-TRAY-A-80X80-WHITE  | White  | 32    | 800         | 800         | 400         |
| TS-TRAY-A-80X80-GREY   | Grey   |       |             |             |             |
| TS-TRAY-A-80X80-BLACK  | Black  |       |             |             |             |
| TS-TRAY-A-100X80-WHITE | White  | 32    | 800         | 1000        | 400         |
| TS-TRAY-A-100X80-GREY  | Grey   |       |             |             |             |
| TS-TRAY-A-100X80-BLACK | Black  |       |             |             |             |
| TS-TRAY-A-110X80-WHITE | White  | 32    | 800         | 1100        | 400         |
| TS-TRAY-A-110X80-GREY  | Grey   |       |             |             |             |
| TS-TRAY-A-110X80-BLACK | Black  |       |             |             |             |
| TS-TRAY-A-120X80-WHITE | White  | 32    | 800         | 1200        | 400         |
| TS-TRAY-A-120X80-GREY  | Grey   |       |             |             |             |
| TS-TRAY-A-120X80-BLACK | Black  |       |             |             |             |
| TS-TRAY-A-90X90-WHITE  | White  | 32    | 900         | 900         | 450         |
| TS-TRAY-A-90X90-GREY   | Grey   |       |             |             |             |
| TS-TRAY-A-90X90-BLACK  | Black  |       |             |             |             |
| TS-TRAY-A-100X90-WHITE | White  | 32    | 900         | 1000        | 450         |
| TS-TRAY-A-100X90-GREY  | Grey   |       |             |             |             |
| TS-TRAY-A-100X90-BLACK | Black  |       |             |             |             |
| TS-TRAY-A-110X90-WHITE | White  | 32    | 900         | 1100        | 450         |
| TS-TRAY-A-110X90-GREY  | Grey   |       |             |             |             |
| TS-TRAY-A-110X90-BLACK | Black  |       |             |             |             |
| TS-TRAY-A-120X90-WHITE | White  | 32    | 900         | 1200        | 450         |
| TS-TRAY-A-120X90-GREY  | Grey   |       |             |             |             |
| TS-TRAY-A-120X90-BLACK | Black  |       |             |             |             |

## 6.2. TS-TRAY-B

Colour version



Technical drawing



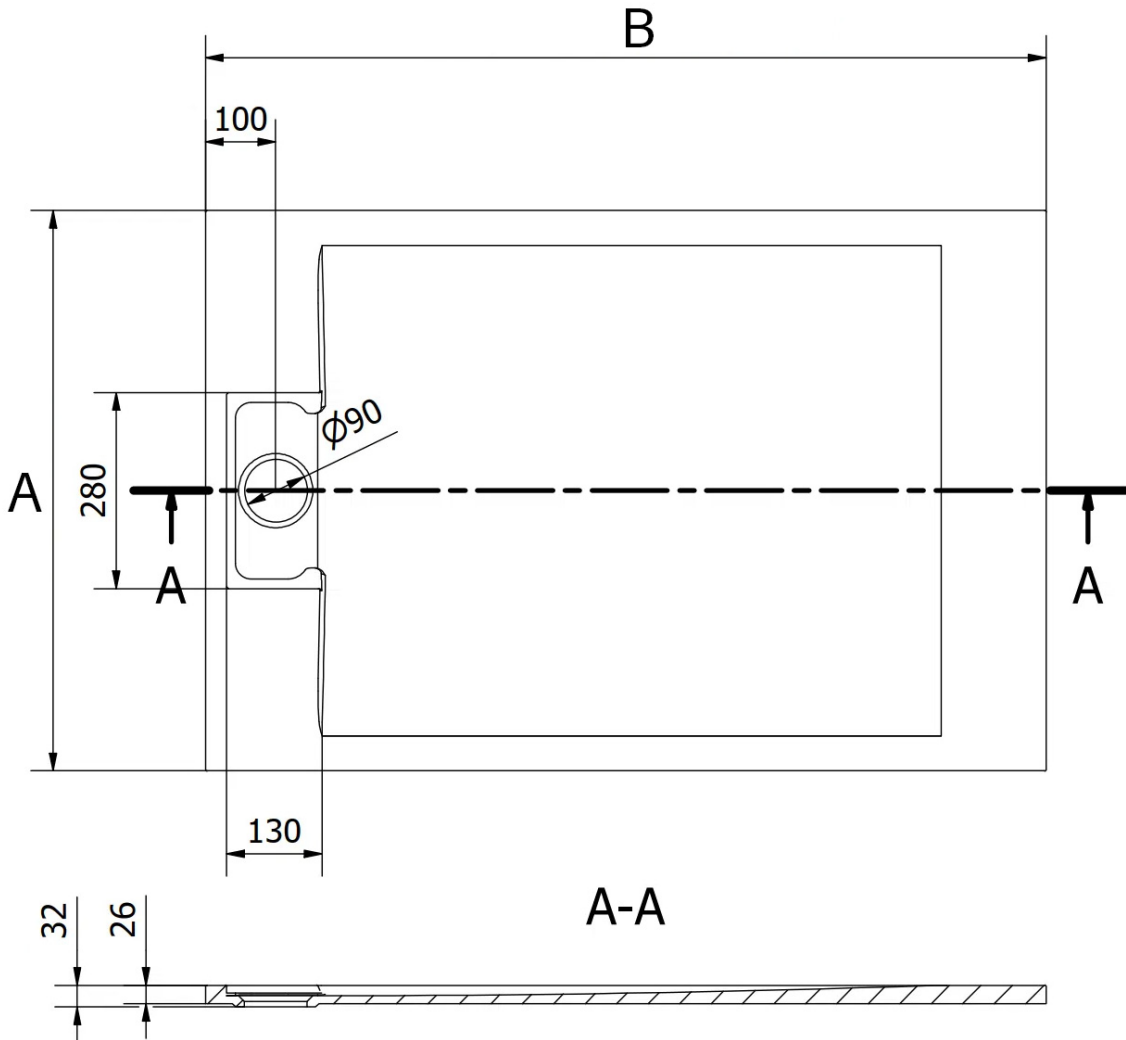
| Full model name        | Colour | Depth | Width       | Length      | Drain width |
|------------------------|--------|-------|-------------|-------------|-------------|
|                        |        |       | Dimension A | Dimension B | Dimension C |
|                        |        | mm    | mm          | mm          | mm          |
| TS-TRAY-B-80X80-WHITE  | White  | 36    | 800         | 800         | 708         |
| TS-TRAY-B-80X80-GREY   | Grey   |       |             |             |             |
| TS-TRAY-B-80X80-BLACK  | Black  |       |             |             |             |
| TS-TRAY-B-100X80-WHITE | White  | 36    | 800         | 1000        | 708         |
| TS-TRAY-B-100X80-GREY  | Grey   |       |             |             |             |
| TS-TRAY-B-100X80-BLACK | Black  |       |             |             |             |
| TS-TRAY-B-110X80-WHITE | White  | 36    | 800         | 1100        | 708         |
| TS-TRAY-B-110X80-GREY  | Grey   |       |             |             |             |
| TS-TRAY-B-110X80-BLACK | Black  |       |             |             |             |
| TS-TRAY-B-120X80-WHITE | White  | 36    | 800         | 1200        | 708         |
| TS-TRAY-B-120X80-GREY  | Grey   |       |             |             |             |
| TS-TRAY-B-120X80-BLACK | Black  |       |             |             |             |
| TS-TRAY-B-90X90-WHITE  | White  | 36    | 900         | 900         | 808         |
| TS-TRAY-B-90X90-GREY   | Grey   |       |             |             |             |
| TS-TRAY-B-90X90-BLACK  | Black  |       |             |             |             |
| TS-TRAY-B-100X90-WHITE | White  | 36    | 900         | 1000        | 808         |
| TS-TRAY-B-100X90-GREY  | Grey   |       |             |             |             |
| TS-TRAY-B-100X90-BLACK | Black  |       |             |             |             |
| TS-TRAY-B-110X90-WHITE | White  | 36    | 900         | 1100        | 808         |
| TS-TRAY-B-110X90-GREY  | Grey   |       |             |             |             |
| TS-TRAY-B-110X90-BLACK | Black  |       |             |             |             |
| TS-TRAY-B-120X90-WHITE | White  | 36    | 900         | 1200        | 808         |
| TS-TRAY-B-120X90-GREY  | Grey   |       |             |             |             |
| TS-TRAY-B-120X90-BLACK | Black  |       |             |             |             |

### 6.3. TS-TRAY-C

Colour version



Technical drawing



List of models and their dimensions

| Full model name        | Colour | Depth | Width       |             |
|------------------------|--------|-------|-------------|-------------|
|                        |        |       | Dimension A | Dimension B |
|                        |        | mm    | mm          | mm          |
| TS-TRAY-C-70X70-WHITE  | White  | 32    | 700         | 700         |
| TS-TRAY-C-70X70-GREY   | Grey   |       |             |             |
| TS-TRAY-C-70X70-BLACK  | Black  |       |             |             |
| TS-TRAY-C-80X80-WHITE  | White  | 32    | 800         | 800         |
| TS-TRAY-C-80X80-GREY   | Grey   |       |             |             |
| TS-TRAY-C-80X80-BLACK  | Black  |       |             |             |
| TS-TRAY-C-100X80-WHITE | White  | 32    | 800         | 1000        |
| TS-TRAY-C-100X80-GREY  | Grey   |       |             |             |
| TS-TRAY-C-100X80-BLACK | Black  |       |             |             |
| TS-TRAY-C-110X80-WHITE | White  | 32    | 800         | 1100        |
| TS-TRAY-C-110X80-GREY  | Grey   |       |             |             |
| TS-TRAY-C-110X80-BLACK | Black  |       |             |             |
| TS-TRAY-C-120X80-WHITE | White  | 32    | 800         | 1200        |
| TS-TRAY-C-120X80-GREY  | Grey   |       |             |             |
| TS-TRAY-C-120X80-BLACK | Black  |       |             |             |
| TS-TRAY-C-90X90-WHITE  | White  | 32    | 900         | 900         |
| TS-TRAY-C-90X90-GREY   | Grey   |       |             |             |
| TS-TRAY-C-90X90-BLACK  | Black  |       |             |             |
| TS-TRAY-C-100X90-WHITE | White  | 32    | 900         | 1000        |
| TS-TRAY-C-100X90-GREY  | Grey   |       |             |             |
| TS-TRAY-C-100X90-BLACK | Black  |       |             |             |
| TS-TRAY-C-110X90-WHITE | White  | 32    | 900         | 1100        |
| TS-TRAY-C-110X90-GREY  | Grey   |       |             |             |
| TS-TRAY-C-110X90-BLACK | Black  |       |             |             |
| TS-TRAY-C-120X90-WHITE | White  | 32    | 900         | 1200        |
| TS-TRAY-C-120X90-GREY  | Grey   |       |             |             |
| TS-TRAY-C-120X90-BLACK | Black  |       |             |             |

## 7. Cleaning and maintenance.

To keep your shower trays clean, you should carry out a few simple steps on a regular basis. Here are some tips to help you keep your shower tray clean

- **Regular cleaning:** clean the shower tray with mild cleaning products, avoiding harsh chemicals and descaling agents (acids, solvents, acetone, etc.). Use pH-neutral/safe products and do not use sharp tools for scrubbing.
- **Removing standing water:** after each use, try to remove any standing water by wiping it away with a silicone
- **Removing stains and water marks:** water deposits, soap and other substances can leave stains and water marks on the shower tray. Use limescale and water deposit removers to keep the shower tray clean.
- **Preventing mould and mildew:** ensure the bathroom is well ventilated to reduce humidity, which can encourage the growth of mould and mildew on the shower tray. If signs of mould appear, use a suitable anti-mould product.
- **Water drainage:** ensure that the shower tray's drain is working properly to prevent water from pooling, as the substances in the water can contribute to the build-up of dirt and cause unpleasant odours.
- **Maintenance:** shower trays can be maintained using virtually any commercially available product designed for this purpose (e.g. water-repellent agents). However, before selecting a product, you should test it and assess its effectiveness, for example in terms of how well it repels water from the shower tray surface, the slipperiness of the surface, etc.

## 8. Disposal of and handling of end-of-life equipment

A shower tray, being part of the bathroom fittings, may need replacing after a certain period of use. Disposing of a shower tray, especially a large and heavy one, requires special care to protect the environment and comply with applicable regulations.

The best and most environmentally friendly solution is to take the shower tray to a municipal waste recycling centre (PSZOK). These centres accept various types of construction and bulky waste, including bathroom fittings. Taking the shower tray to a PSZOK ensures that it will be properly recycled or disposed of.



Do not dispose of the unit with unsorted household waste. It is essential to send this type of waste for special processing. Disposing of the unit with other household waste is illegal.

Used consumables must be sorted and handed over for disposal in accordance with the applicable laws of the country in which the appliance is located.